

HOUSING STYLE:

- RSR - FILTER ONLY ROOMSIDE REMOVABLE
- RSRRE - FILTER, BAFFLE, AND MOTOR ROOMSIDE REMOVABLE

MOTOR: THREE SPEED BACKWARD INCLINED MOTOR/BLOWER

- 115V, 50/60 Hz, 1 PHASE, 2.26 FLA
- 208-240V, 50/60 Hz, 1 PHASE, 1.4 FLA
- 277V, 60 Hz, 1 PHASE, 1.17 FLA

FILTER:

- HEPA 99.99% @ 0.3 MICRON UL 900 (STANDARD)
- ULPA 99.9995% @ 0.12 MICRON (U15) UL 900
- PTFE
- OTHER _____

CONTROL:

- THREE SPEED SWITCH (3PS)

HOUSING FINISH:

- MIL FINISH ALUMINUM (STANDARD)
- POWER COAT PAINT (WHITE)
- 304 STAINLESS STEEL (ADD 3/8" TO OVERALL HEIGHT)

SCREEN FINISH:

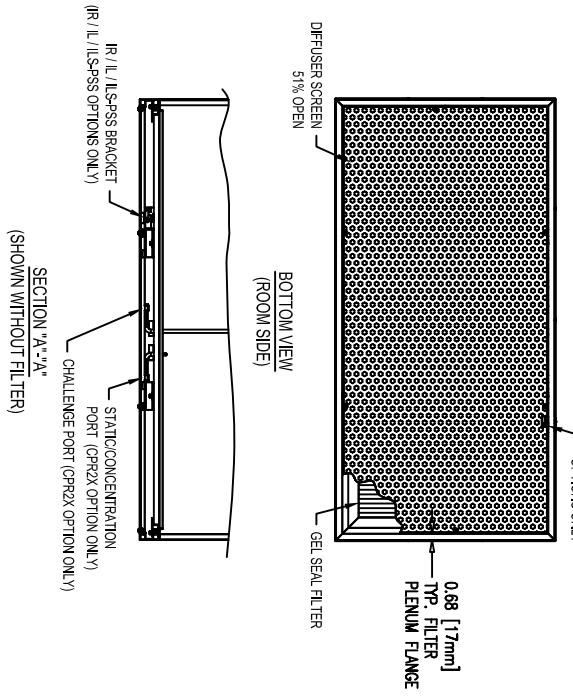
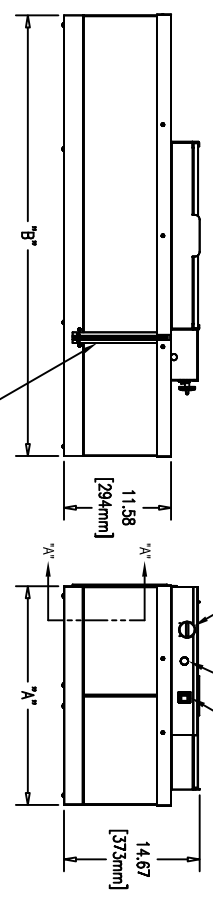
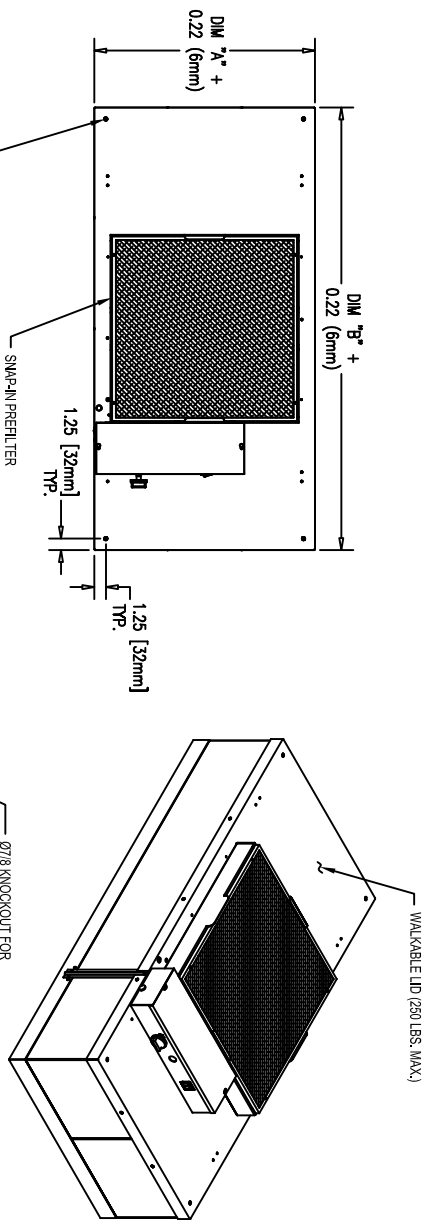
- ANODIZED ALUMINUM (STANDARD)
- POWER COAT PAINT (WHITE)
- 304 STAINLESS STEEL

OPTIONS:

- 10" (254 mm) ALUM. DUCT COLLAR (11231-1001 SHIPPED LOOSE)
- 12" (305 mm) ALUM. DUCT COLLAR (11231-1002 SHIPPED LOOSE)
- 14" (355 mm) ALUM. DUCT COLLAR (11231-1003 SHIPPED LOOSE)
- POWER CORD - 115V ONLY (SHIPPED LOOSE) (NOT ACCEPTABLE FOR PLENUM APPLICATIONS)
- IL - *GREEN INDICATOR LIGHT (ON = MOTOR RUNNING; OFF = MOTOR FAILURE)
- IL-SSS - *RED FILTER LOAD INDICATOR LIGHT (ON = TIME TO CHANGE FILTER)
- CRP2X - (1) 1/8" FNPT ROOMSIDE CHALLENGE PORT AND (1) 1/8" FNPT STATIC CONCENTRATION PORT
- 20 x 20 x 2" (50.8 mm) HEATED PRE-FILTER G-4 (SHIPS LOOSE)
- 0-10V OUTPUT SIGNAL WITH PRESSURE TRANSMITTER FOR CONTINUOUS FILTER MONITORING.
- 3/4" KNIFE EDGE FOR CEILING GRID WITH GEL SEAL (ADD 3/4" TO OVERALL HEIGHT)

CERTIFICATION:

- UL 507 LISTED (E152685)
- CE CERTIFIED



FILTER SIZE (OD)	DIM 'A'	DIM 'B'	NOMINAL FILTER SIZE	APPROX. WEIGHT
<input type="checkbox"/>	23.63 (600)	47.63 (1210)		(ALUM.) 76 lbs
<input type="checkbox"/>	23.50 (597)	47.50 (1207)		35 Kgs
<input type="checkbox"/>	23.25 (591)	47.25 (1200)	2X4	(SST) 86 lbs
<input type="checkbox"/>	23.13 (588)	47.13 (1197)		86 lbs
<input type="checkbox"/>	23.00 (584)	47.00 (1194)		39 Kgs
<input type="checkbox"/>	23.03 (585)	46.63 (1185)	**OTHER	N/A

** CONTRACT MFG. TO INSURE SIZE AVAILABILITY.

SIGNATURE _____

DATE _____

COMPANY _____

PROJECT _____

P.O. _____



Innovators in clean technology

101 Mitchell Rd.
Sartford, NC 27330
PHONE: 919-775-2201
PHONE: 1-800-884-0002
FAX: 1-800-456-2379
www.envirgo.com
email: envirgo@envirgo.com

MAC10 LEAC
RSR/RSRRE

UNLESS SPECIFIED, ALL DIMENSIONS ARE IN INCHES. TOLERANCE: XX.03 .XX3.015 ANGULAR ±1° UNLESS NOTED

THIS DRAWING IS THE PROPERTY OF ENVIRGO, AND MAY NOT BE REPRODUCED OR PUBLISHED WITHOUT AUTHORIZATION FROM ENVIRGO.

DRAWING NO: **8000005**

DATE: 7-17-12

REV: ~

DESIGNER: _____

REVIEWER: _____

DATE: _____

BY: _____

DATE: _____

CON: 5-1462

