

MOTOR: BACKWARD CURVED MOTORIZED IMPELLER

- 115V, 60 Hz, 1 PHASE, 1.80 FLA
- 230V, 60 Hz, 1 PHASE, 0.98 FLA
- 277V, 60 Hz, 1 PHASE, 0.80 FLA

FILTER:

- HEPA 99.99% @ 0.3 MICRON UL 900 (STANDARD)
- ULPA 99.9995% @ 0.12 MICRON (U15) UL 900
- PTFE
- OTHER _____

CONTROL:

- SOLID STATE SPEED CONTROL (SSC) (STANDARD)
- REMOTE MOUNTED SPEED CONTROL (SCSL)
- NETWORK CONTROL CARD (EMC)

HOUSING FINISH:

- MIL FINISH ALUMINUM (STANDARD)
- POWDER COAT PAINT (WHITE)
- 304 STAINLESS STEEL (ADD 3/8" TO OVERALL HEIGHT)

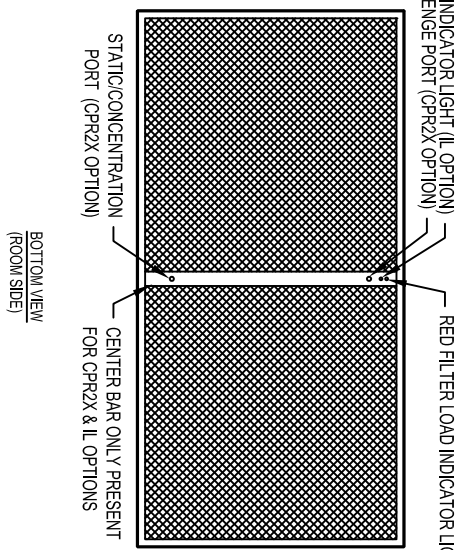
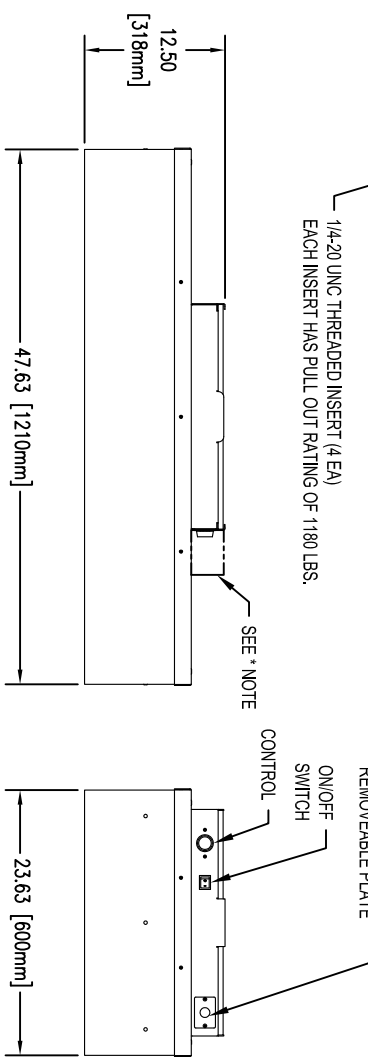
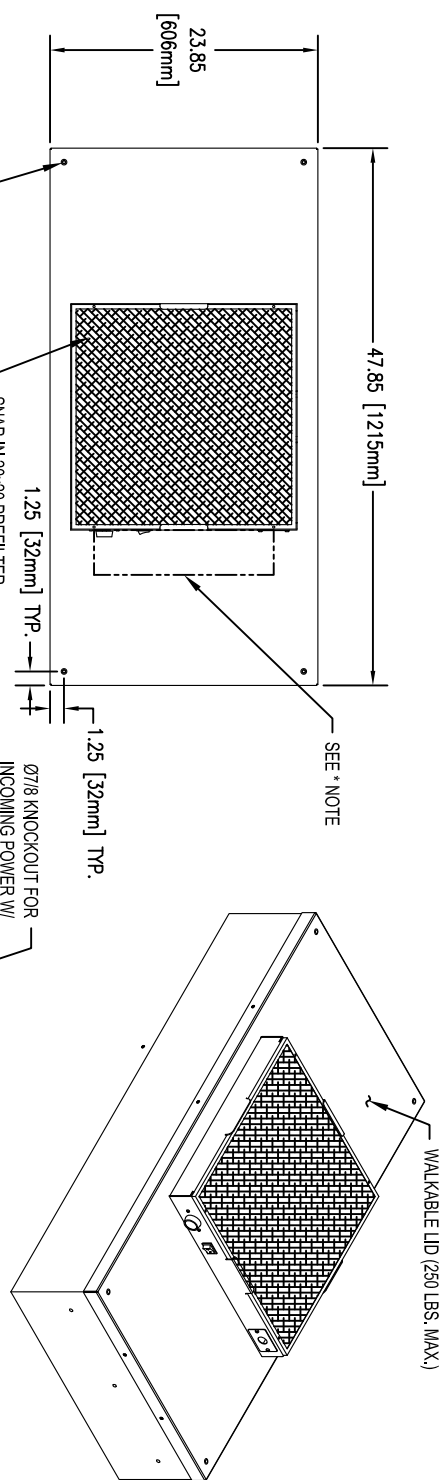
OPTIONS:

- 10" (254 mm) ALUM. DUCT COLLAR (10891 SHIPPED LOOSE)
- 12" (305 mm) ALUM. DUCT COLLAR (10789 SHIPPED LOOSE)
- POWER CORD - 115V ONLY (SHIPPED LOOSE) (NOT ACCEPTABLE FOR PLENUM APPLICATIONS)
- IL - *GREEN* INDICATOR LIGHT (ON = MOTOR RUNNING; OFF = MOTOR FAILURE)
- ILS-PSS - *RED* FILTER LOAD INDICATOR LIGHT (ON = TIME TO CHANGE FILTER)
- CPRX - (1) 3/8" ROOMSIDE CHALLENGE PORT AND (1) 3/8" STATIC CONCENTRATION PORT
- 0-10V OUTPUT SIGNAL WITH PRESSURE TRANSMITTER FOR CONTINUOUS FILTER MONITORING.
- 3/4" KNIFE EDGE FOR CEILING GRID WITH GEL SEAL (ADD 3/4" TO OVERALL HEIGHT)

*NOTE: THE ADDITION OF AN EXTERNAL ELECTRICAL BOX MAY BE REQUIRED FOR SOME OR MULTIPLE OPTIONS



Innovators in clean technology



FILTER SIZE (OD)		NOMINAL FILTER SIZE	APPROX. WEIGHT
DM "A" In (mm)	DM "B" In (mm)		
23.63 (600)	47.63 (1210)	2X4	(ALUM.) 50 lbs
23.50 (597)	47.50 (1207)		23 Kgs (SST)
23.25 (591)	47.25 (1200)		58 lbs (SST)
23.13 (588)	47.13 (1197)	2X3.5	27 Kgs (SST)
23.00 (584)	47.00 (1194)		(ALUM.) 45 lbs
23.03 (585)	46.83 (1185)		20 Kgs (SST)
23.63 (600)	41.63 (1057)	2X3	24 Kgs (ALUM.)
23.50 (597)	41.50 (1054)		42 lbs (ALUM.)
23.25 (591)	41.25 (1048)		19 Kgs (SST)
23.13 (588)	41.13 (1045)	2X2	49 lbs (SST)
23.00 (584)	41.00 (1041)		23 Kgs (SST)
23.03 (585)	40.75 (1035)		19 Kgs (ALUM.)
23.63 (600)	23.63 (600)	2X2	35 lbs (ALUM.)
23.50 (597)	23.50 (597)		16 Kgs (SST)
23.25 (591)	23.25 (591)		41 lbs (SST)
23.13 (588)	23.13 (588)	OTHER	19 Kgs (SST)
23.00 (584)	23.00 (584)		19 Kgs (SST)
23.03 (585)	23.03 (585)		N/A

** CONTACT MFG. TO INSURE SIZE AVAILABILITY.

SIGNATURE _____

DATE _____

COMPANY _____

PROJECT _____

P.O. _____

UNLESS SPECIFIED, ALL DIMENSIONS ARE IN INCHES. TOLERANCE ANGULAR ±1° UNLESS NOTED

THIS DRAWING IS THE PROPERTY OF ENVIRCO, AND MAY NOT BE REPRODUCED OR PUBLISHED WITHOUT AUTHORIZATION FROM ENVIRCO.

COPYRIGHT 2010 ENVIRCO

DRAWING NO: 8000015

DATE: 12-18-14

REV: ~

DESIGNER: _____

DRWN: AMO

ECN: 52088A

101 Mackall Rd.
Sardis, NC 27330
PHONE: 919-775-2201
PHONE: 1-800-884-0002
FAX: 1-800-456-2379
www.envirco.com
email: envirco@envirco.com

MAC10 LEAC2 STANDARD