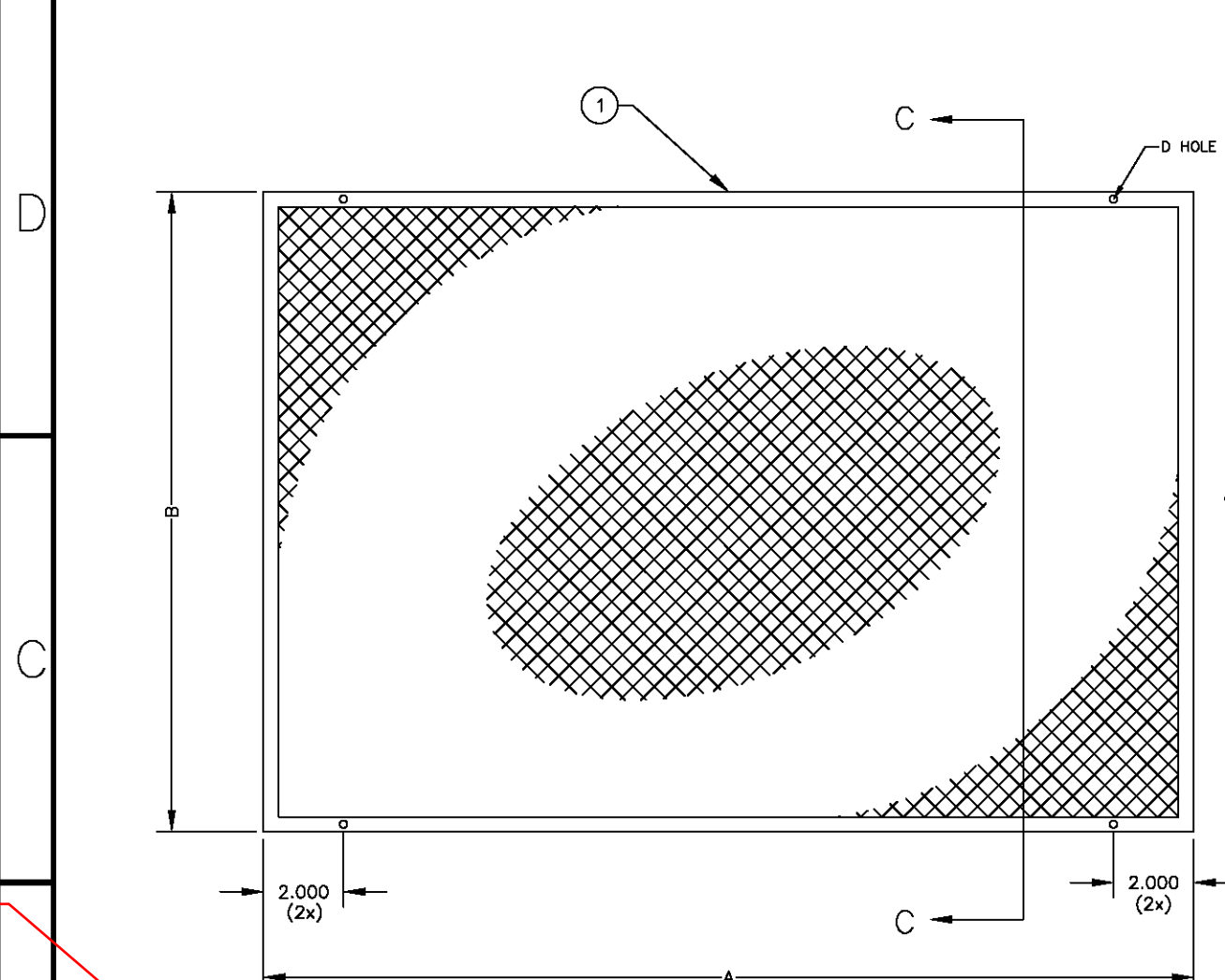
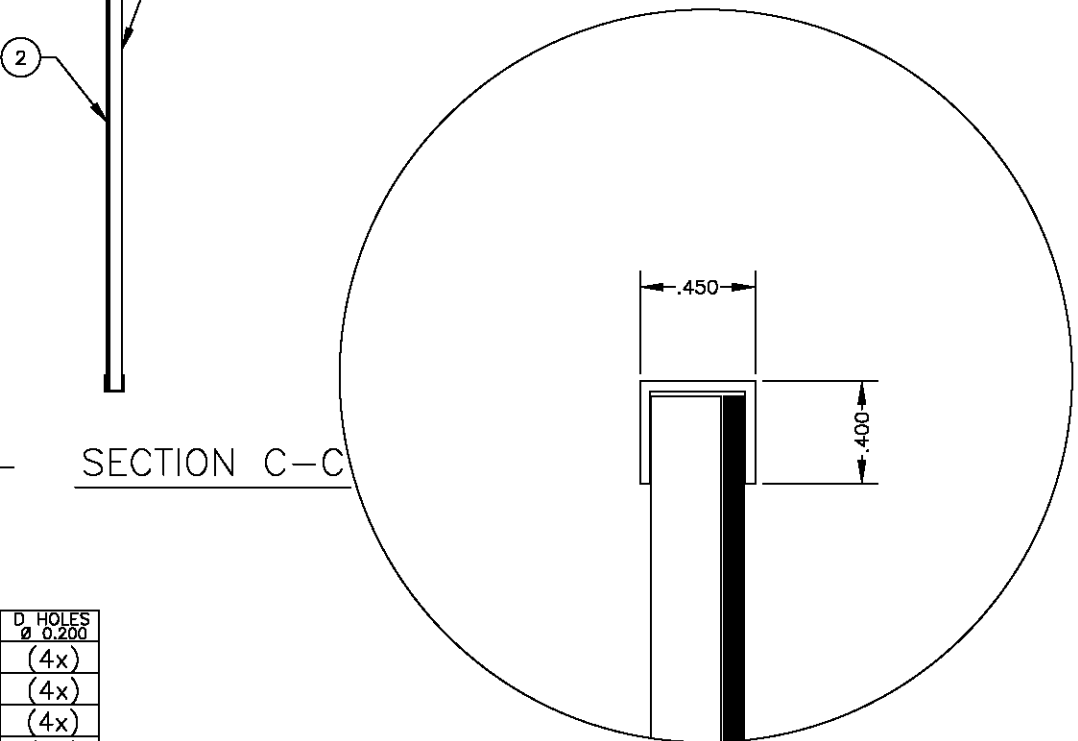


1 2 3 4



REV	ZONE	DESCRIPTION OF CHANGE	BY	DATE
A	-	SEE HISTORY FILE	TCH	8/8/03
A10		ADDED OPTION 033	TCH	8/8/03
A11		ADDED OPTION 034	MAK	1/15/04
A12		Removed holes from 001 option	CJW	5/18/04
A13		ADDED OPTION 035	MAK	7/19/04
A14		ADDED OPTION 036; PCN-17609	DBP	11/3/06
A15		ADDED OPTION 037; PCN-18759	MAK	9/15/08
A16		ADDED OPTION 038; PCN-50008	MAK	2/25/09



For Use with:
 - MAC-10 LEAC Standard and RSR
 - MAC-10 LEDC Standard and RSR

OPTION	OLD P\N	A	B	D HOLES Ø 0.200
-	62981	23.25	16.00	(4x)
001	62981	23.25	16.00	NONE
002	63291	21.75	16.00	(4x)
003	62632	33.75	24.00	NONE
004	62647	48.00	13.44	NONE
005	62677	21.50	13.50	
006	62705	36.00	13.44	NONE
007	62764	35.00	11.00	NONE
008	92495	48.00	14.50	NONE
009	93342	29.94	13.44	
010	62741	30.50	13.44	
011	69373	35.13	22.00	NONE
012	94489	22.59	15.31	
013	94494	21.80	14.53	
014	94576	23.00	16.00	
015	63431	33.75	30.00	
016	63548	18.25	18.25	NONE
017	93360	33.72	10.62	
018	94487	39.50	13.44	
019	62634	47.75	24.00	NONE
020	63653	19.75	11.13	(4x)

OPTION	OLD P\N	A	B	D HOLES Ø 0.200
021	63650	18.75	9.00	(4x)
022	63651	32.75	9.00	(4x)
023	63652	46.20	22.80	(4x)
024	-	11.50	18.00	(4x)
025	60043	20.69	11.88	NONE
026	-	23.25	22.00	(4x)
027	-	23.25	14.50	(4x)
028	62633	45.75	24.00	NONE
029	-	20.00	16.00	(4x)
030	-	21.25	16.00	(4x)
031	-	23.13	21.75	(4x)
032	-	60.00	13.44	NONE
033	-	21.50	9.50	NONE
034	-	22.12	16.00	(4x)
035	-	21.75	22.00	NONE
036	-	16.81	13.31	NONE
037	-	18.00	18.00	NONE
038	-	20.00	20.00	(4x)

ITEM	DESCRIPTION
1	FILTER FRAME .025 ALUMINUM
2	UNI-GRID EXPANDED ALUMINUM 85% OPEN THICKNESS .04
3	3/8" THK BLACK 20 PPI OPEN CELL POLYURETHANE FOAM UL-900 CLASS 2

A

1. DEBURR AND BREAK ALL SHARP EDGES.
 NOTES: UNLESS OTHERWISE SPECIFIED

THIS DRAWING IS A PROPERTY OF ENVIRCO CORPORATION AND MAY NOT BE USED, REPRODUCED, PUBLISHED, OR DISCLOSED TO OTHERS WITHOUT EXPRESS AUTHORIZATION BY ENVIRCO CORP.

TOLERANCES UNLESS OTHERWISE SPECIFIED
 .X = ±0.1 ANGLE = ±1/2°
 .XX = ±0.03 FRACTION = ±1/16"
 .XXX = ±0.015

ENVIRCO CORPORATION
 5601 BALLOON FIESTA PRKY NE
 ALBUQUERQUE, NM 87113
 PHONE:(505) 345-3561
 FAX:(505) 345-8875

TITLE: PREFILTER-FOAM/SCREEN

DO NOT SCALE DRAWING	MATERIAL SPECIFICATION SEE LIST	DRAWN BY MWW	DRAWING NUMBER 62981-XXX	REV. A16
NEXT ASSEMBLY	APPROVED BY CAR	SCALE 1:1	SHEET 1 OF 1	SIZE C

1 2 3 4