

Directly Replacement T8 LED Tubes

General Specifications

| | |
|-------------------------------|---|
| Product Type | Indoor lighting work with ballast |
| Application | Hotel, Office, Hospital, Production, Church |
| Item Number | LYT8-4196xx1 |
| Light Source: | 196 of SMD 3014 chips |
| Color Temperature (k) | 2800-7000K |
| Net weight (kg) | 1 lbs |
| Gross weight (kg) | 1.1 lbs |
| Length | 48" (F32) |
| Other Length and Watts | 24"(F18)/9W 36"(F25)/13W |

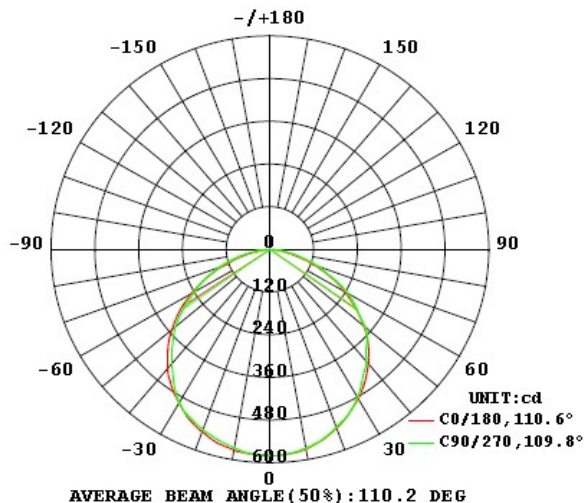
Electrical Specifications

| | |
|-------------------|------------|
| Driver Type | Internal |
| Input Voltage (v) | AC100-240V |
| Frequency (Hz) | 50/60 |
| Input Power (w) | 18w |

Photometric Specifications

| | |
|----------------------------|-----------------------|
| Luminous efficacy (lm/w): | 100+ _{-10%} |
| Total Luminous Flux (lm) : | 1800+ _{-10%} |

LUMINOUS INTENSITY DISTRIBUTION DIAGRAM



Benefits and Features

- 1) Directly replace fluorescent tubes, work with the ballast
- 4) Save money on electricity bill & rewiring cost
- 3) No mercury & UV, good for environment & health
- 4) Reduce CO2 emission, save earth from global warming

Certifications



Photos

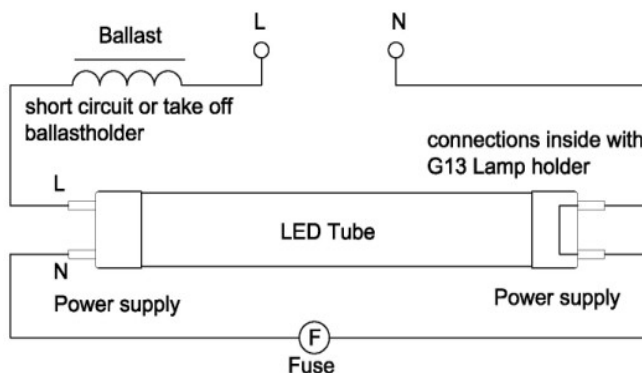


Construction Specifications

| | |
|-----------------------|----------------------------|
| Operation Temperature | -13F ~ 113F Degree |
| Storage Temperature | -40F ~ 176F Degree |
| Main Material | AL+PC Cover (Clear/Frosty) |

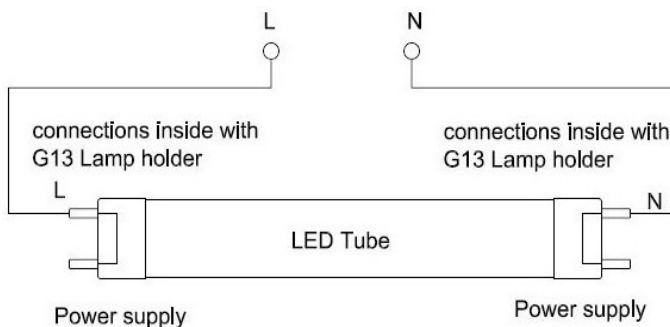
Installing Instructions:

Direct work with electronic ballast, no need any rewiring



Also work without ballast for saving more on electricity bill

Wiring Diagram of Double End AC Power Input:



Wiring Diagram of Single End AC power Input:

