

LIGHTING FOR COMPLEX ENVIRONMENTS

2' X 4'

APPLICATIONS

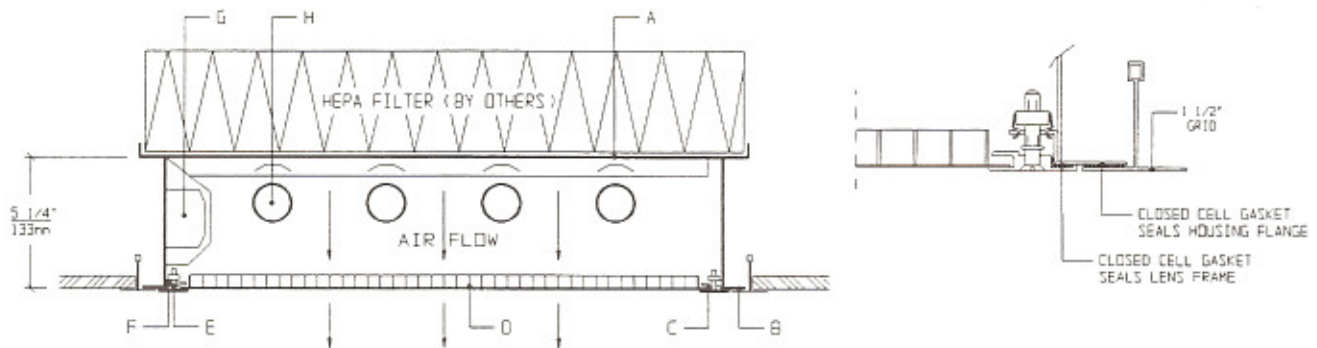
- Cleanrooms
- Electronics labs
- Hospitals
- Pharmaceutical labs
- Biological labs

Open top recessed housings for use with HEPA filters, box cell louver for reduced glare, and unobstructed air flow through the fixture make CLO Series ideally suited for CLEANROOM, Hospital, and Scientific lab areas, where contamination free environment is a must.

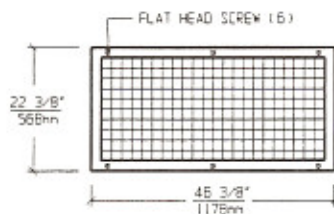
FEATURES

- ♦ 2' X 4' Open top, painted white Housing, seals to grid
- ♦ Suitable for Class 10 - Class 100,000 Cleanrooms
- ♦ Same Housing fits 1", 1-1/2" and 2" standard T-grid ceiling
- ♦ Door Frame is flush with T Grid and seals to Housing
- ♦ Box Cell Louver standard
- ♦ Gasketed Access Plate
- ♦ Housing accepts standard 2' X 4' HEPA air filter
- ♦ Captive flat head Screws (6)
- ♦ Manufactured in accordance to NSF, FDA, USDA and Federal Standard 209D
- ♦ Optional Lamp Reflectors

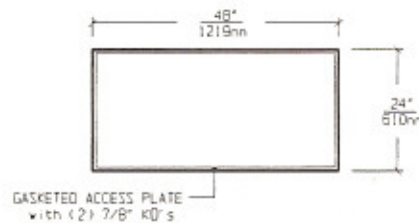
CROSS SECTION



LENS FRAME DIMENSIONS



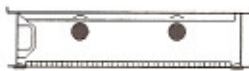
TOP VIEW



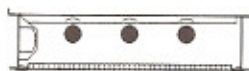
SPECIFICATIONS

<p>A. HOUSING Die formed 20 gauge cold rolled steel Housing, with welded seams. Painted white.</p> <p>B. GASKET Closed cell gaskets and silicone seal prevent air and contaminants from entering the room.</p> <p>C. FRAME Heavy aluminum extrusion with sealed mitered corners. Painted white to match Grid.</p> <p>D. SHIELDING White Box Cell Louver 1/2" high standard. (See Options for other Louver selections).</p> <p>E. FASTENERS Flush, captive stainless steel screws apply even pressure against Louver Frame.</p>	<p>F. HINGE Two "shadow free" detachable chains for ease of installation and maintenance.</p> <p>G. BALLAST HPF, Class P, Energy saving Ballast (See Voltage, Ballast Options).</p> <p>H. LAMPS 32W T-8 or 40W T-12 Lamps. See Lamp Options. (Lamps by others).</p> <p>I. FINISH Polyester Powder coat white finish with 92% reflectance.</p> <p>J. UL LISTED Suitable for Damp Locations.</p>
---	---

LAMP SELECTION



LAMPS: (2) 32W T-8
(2) 40W T-12



LAMPS: (3) 32W T-8
(3) 40W T-12



LAMPS: (4) 32W T-8
(4) 40W T-12

ORDERING INFORMATION

CLO - 24 -

No. of LAMPS	WATTAGE	VOLTAGE	BALLAST	LOUVER	OPTIONS
2=2 Lamps	32=32 Watts	120=120 Volts	EB=Electronic Ballast	5CL=.500" Box Cell White Acrylic	TP=Tamperproof screws GF=GLR Fuse
3=3 Lamps	(T-8)	277=277 Volts	MB=Magnetic Ballast	5PL=.500" Parabolic Louver	LR=Lamp Reflectors DB=Dimming Ballast
4=4 Lamps	40=40 Watts	347=347 Volts	EB2=(2) Electr. Ballasts	(Other Louver Options available.)	EM=Emergency Lighting CW=Cold Weather Ballast
6=6 Lamps	(T-12)		EBH=<10% THD El. Ballast		AHP=Aluminum Housing Painted SHP=Stainless Steel Housing, Painted RF=Radio Frequency Interference Filter

(More than one Option can be specified)

EXAMPLE: CLO - 24 - 4 - 32 - 277 - EB - 5CL - GF - LR

DESCRIPTION: CLO-24 = Series CLO, 2 feet by 4 feet nominal size
 4 = 4 Lamps
 32 = 32 Watts T-8 Lamps
 277 = 277 Volt Operation
 EB = Electronic Ballast
 5CL = .500" Thick White Acrylic Box Cell Louver
 GF = GLR Fuse
 LR = Lamp Reflectors

FIXTURE TYPE		COMMENTS
CATALOG NUMBER	CLO-24-	
JOB NAME		
APPROVAL		
DATE		

Dimensions and Specifications subject to change without notice
 Fixture guaranteed for one year against mechanical defects in manufacture.
 2-97 CLO-24