

TECHNICAL SPECIFICATION

■ USP 797 Introduction**A Second Generation FFU**

While Envirco® has introduced a variety of proprietary products, one of its most successful continues to be the MAC 10® family of fan filter units (FFUs). We add to this industry's leading line of products a second generation FFU, the MAC 10® LE-DC, which features the most control options and the most versatile control system available on the market today.

A Green Product Solution

The MAC 10® LE-DC FFU helps provide opportunities to earn LEED* with its energy-saving features. *Note: LEED (Leadership in Energy and Environmental Design) is the rating system of US Green Building Council which building designs are certified.*

By taking advantage of a unique combination of EC motor technology coupled with Envirco's proprietary baffling system and backward inclined fan, the LE-DC leads the industry in energy-efficiency. Its electronically commutated (EC) motor with internal microprocessor offers high performance and delivers long motor life with energy consumption rates as low as 90W @ 90 fpm.

Utilizing Envirco's experience in FFU development, the LE-DC also features low sound levels of 52 dBA, which are a MAC 10® family benchmark.

Envirco® MAC 10® FFUs are used worldwide for a variety of critical clean air applications. Learn more about how you can benefit from the LE-DC in your next critical room application. Contact your local Envirco® representative or visit us on the web at www.envirco.com.

**■ Standard Features**

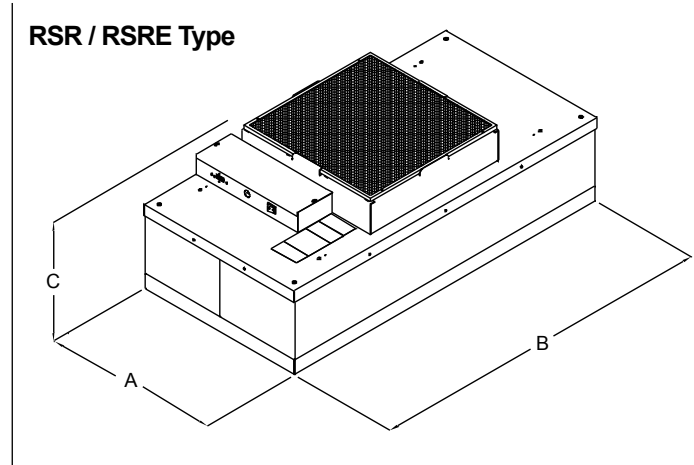
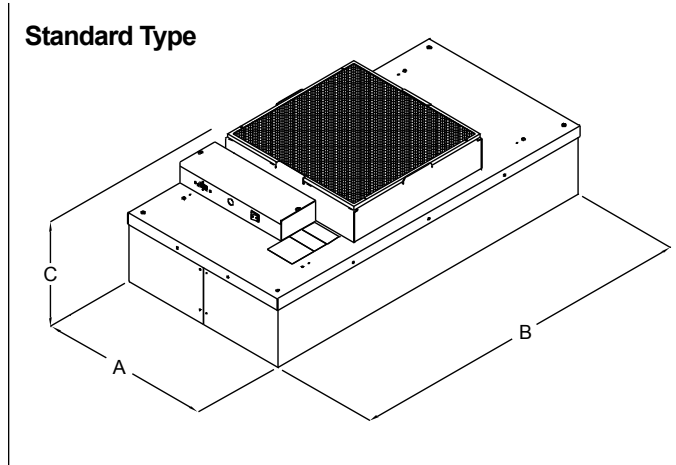
- » New Universal Control Card
 - Network Speed Control, MODBUS RTU
 - Manual Speed Control, On-Board Potentiometer
 - Analog Speed Control, Remote 0-10V
- » Electronically Commutated (EC) brushless motor with internal microprocessor
- » High Efficiency Particulate Air (HEPA) Filter: 99.99% efficient @ 0.3 micron
- » 1.0 in. wg (200 Pa) of external static capability
- » Backward-inclined centrifugal fan
- » Walkable plenum (excluding prefilter), rated to 250 lbs.
- » Washable pre-filter
- » Manufactured to IEST recommended practices
- » Available in 2 x 2, 2 x 3, 2 x 4 and 4 x 4 sizes
- » cUL listed (115V, 208-240V, 277V) with standard UL 900 filter, File number E152685 (UL507)
- » Mill finished aluminum exterior

■ Optional Features

- » Room-side Replaceable Filter (RSR)
- » Room-side Replaceable Filter and Motor Assembly (RSRE)
- » Infrared Speed Control: Room-side airflow adjustment with a hand-held remote control
- » Ducted Inlet Connection (shipped loose)
 - 10" (254 mm)
 - 12" (305 mm)
 - 14" (356 mm)
- » Direct connection to air conditioning supply
- » Flow-through light fixture provides illumination with minimal airflow disruption
- » Powder coat white paint or stainless steel housing
- » Room-side 3/8" Challenge Ports: Convenient aerosol challenge and HEPA filter testing. Standard on RSE and RSRE units
- » CE certified on 230V units
- » ULPA 99.9995% at 0.12 micron PTFE and low boron.
- » 3/4" Knife Edge: Permits easy placement in gel track ceiling grid system (available on RSR and RSRE units only)
- » Pleated MERV 8 pre-filter available

TECHNICAL SPECIFICATION

■ **Dimensions**



■ **Performance MAC 10[®] LE-DC**

Nominal Unit Size	Active Filter Face Area (Sq. Ft.)	Max. CFM	Watts @ Max. CFM	CFM @ 90 FPM	Watts @ 90 FPM	Sound dBA @ 90 FPM	Unit Weight	Dimensions AxBxC (in)
2x4 LE-DC	7.2	950	250	650	90	52	66	23.63 x 47.63 x 14.32 (600 x 1210 x 364)
2x3 LE-DC	5.3	650	150	470	65	47	52	23.63 x 35.63 x 14.32 (600 x 905 x 364)
2x2 LE-DC*	3.5	410	145	315	85	46	41	23.63 x 23.63 x 14.32 (600 x 600 x 364)
2x4 LE-DC RSR/RSRE	5.3	850	240	477	65	47	71	23.63 x 47.63 x 16.43 (600 x 1210 x 417)
2x3 LE-DC RSR/RSRE	3.8	650	150	340	45	43	54	23.63 x 35.63 x 16.43 (600 x 905 x 417)
2x2* LE-DC RSR/RSRE	2.3	350	130	210	50	46	44	23.63 x 23.63 x 16.43 (600 x 600 x 364)

* All 2 x 2 units will be built with a forward curve fan utilizing the same technology as the MAC10[®] IQ sold today. Weights above are for aluminum units. For RSRE units, add 5 lbs. For stainless steel units, add 10 lbs.

Notes:

Performance tested in accordance with the (ANSI/AMCA 210-07), (ANSI/ASHRAE 51-07) test standards for Certified Aerodynamic Performance Rating.

Max CFM rating based on free air volumes @ high speed motor setting.

90 fpm values based on active filter face area. BTU = Watts x 3.413.

MAC 10[®] LE-DC:

MAC 10[®] LE-DC 115V, 50/60HZ 1 Phase = 2.75 F.L.A., 208-240V 50/60HZ 1 Phase = 1.75 F.L.A., 277V 60 HZ 1 Phase = 1.35 F.L.A.

MAC 10[®] LE-DC 2x2 115V-5.0 F.L.A. 2x2 208-240V 33.0 F.L.A. 277V 2.5 F.L.A.

Modular Cleanrooms

Denver, Colorado

800-496-7666 (Toll Free)

303-371-0272 (Office)

303-371-0270 (Fax)

Sales@modularcleanrooms.com

www.modularcleanrooms.com