

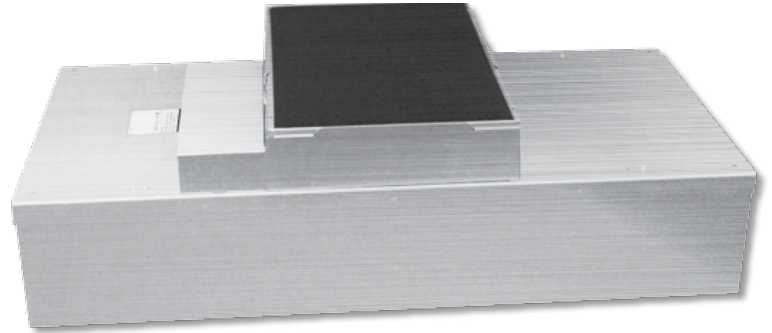
TECHNICAL SPECIFICATION

■ MAC 10® Introduction

Extra low watts, sound, and profile.

The Envirco® MAC 10 fan filter unit, was the first (FFU) to combine low sound, low watts and a low profile. Measuring only 51 dBA, the MAC 10 Original Standard (2 ft x 4 ft [600 mm x 1,210 mm]) provides one of the lowest sound levels of any FFU in the industry. Running at only 310 watts @ 90 fpm, the unit uses less energy than traditional FFUs, lowering operating costs. The MAC 10 Original maintains a low profile, measuring less than 13" (330 mm).

MAC 10 Original comes standard with the filter integral with the unit housing, requiring the unit to be removed from the ceiling grid to replace the filter. The RSR unit has the filter sealed to the unit using the knife edge/gel seal construction, allowing the filter to be replaced from the roomside. The RSRE unit has the added feature of allowing the motor blower and filter to be replaced from the roomside.



■ Standard Features

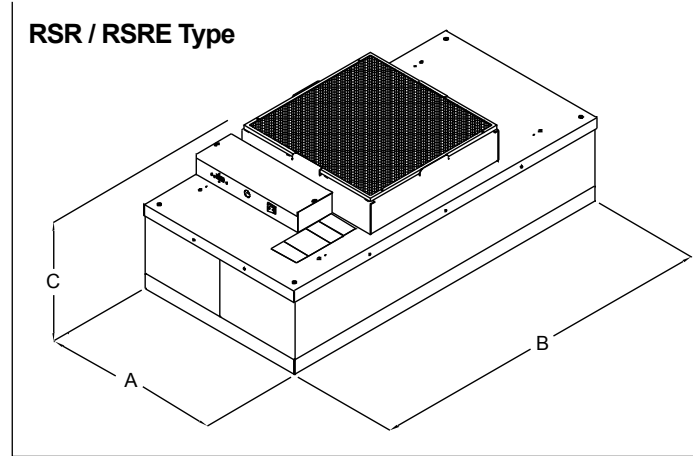
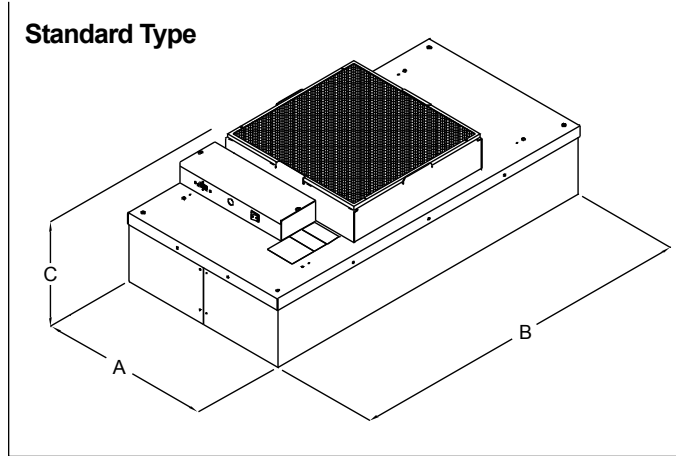
- » Low sound, low watts, low profile, and low operating costs
- » Three speed switch features low, medium, and high settings; standard on all 2 ft x 2 ft and 2 ft x 4 ft units
- » Solid state speed controller standard on 2 ft x 2 ft, 2 ft x 3 ft, and all RSR units
- » Forward-curved centrifugal fan
- » High Efficiency Particulate Air (HEPA) UL900 Filter: 99.99% efficient @ 0.3 Micron
- » Snap-in prefilter allows for easy replacement and maintenance
- » Walkable Plenum (excluding prefilter), rated at 250 lbs.
- » Mill finished aluminum exterior
- » Tested to IEST recommended standards
- » UL Listed (115V, 208-240V, 277V) with standard UL900 filter, File number E152685 (UL507)

■ Optional Features

- » Solid-State Speed Control: Available on 2 ft x 4 ft (600 mm x 1,210 mm) standard units; allows for a full range of settings
- » Room-Side Replacement (RSR) available with gel seal filter element; filter is replacement from the roomside
- » RSRE provides filter and motor/blower assembly replacement from the roomside
- » Ultra-low Penetration Air (ULPA) Filter: 99.9995% efficient @ 0.12 micron (U15)
- » PTFE boron-free ULPA filter
- » Airflow Indicator Light: Allows external monitoring of motor operation. Green indicator is on during normal operation.
- » Monitoring and Control System: On-site or remote monitoring and adjustment
- » CE Marked: 230V units available
- » Duct Collar 10" (254 mm) and 12" (305 mm): Allows direct connection to the air conditioning supply (shipped loose)
- » Fluorescent Light: Provides illumination with minimal airflow disruption
- » Ion Bar: Neutralizes static charges below the filter (power supply required)
- » Finish: Powder coat painted or stainless steel
- » Room-side 3/8" Challenge Port and Static Port: Offers convenient aerosol challenge and filter testing
- » 3/4" Knife Edge: Permits easy placement in gel track ceiling grid system (available on RSR and RSRE units only)
- » Custom sizes and configurations available; perfect for mini-environment applications
- » Metric sizes available

TECHNICAL SPECIFICATION

■ **Dimensions**



■ **Performance MAC 10[®] Original**

Nominal Unit Size	Active Filter Face Area (Sq. Ft.)	Max. CFM	Watts @ Max. CFM	CFM @ 90 FPM	Watts @ 90 FPM	Sound dBA @ 90 FPM	Unit Weight	Dimensions AxBxC (in)
2x4 Standard	7.2	660	315	650	310	51	66	23.63 x 47.63 x 12.51 (600 x 1210 x 318)
2x3 Standard	5.3	560	270	470	240	51	52	23.63 x 35.63 x 12.51 (600 x 905 x 318)
2x2 Standard	3.5	410	200	315	165	48	41	23.63 x 23.63 x 12.51 (600 x 600 x 318)
2x4 RSR/RSRE	5.3	610	300	470	245	51	71	23.63 x 47.63 x 14.62 (600 x 1210 x 371)
2x3 RSR/RSRE	3.8	500	250	340	200	51	54	23.63 x 35.63 x 14.62 (600 x 905 x 371)
2x2 RSR/RSRE	2.3	350	170	210	140	48	44	23.63 x 23.63 x 14.62 (600 x 600 x 371)

Notes:

Performance tested in accordance with the (ANSI/AMCA 210-07), (ANSI/ASHRAE 51-07) test standards for Certified Aerodynamic Performance Rating. Max CFM rating based on free air volumes at high speed motor setting .90 fpm values based on active filter face area.
Heat gain: BTU = Watts x 3.413

MAC 10 Original:

Full-Load Amps: 115V/60Hz/1 Ph = 3.0; 208-240V/50/60 Hz/1 Ph = 1.5; 277V/60 Hz/ 1 Ph = 1.2.
MAC 10[®] 2 x 4 is available with either the three-speed switch or a speed control, 2 x 3 and 2 x 2 units come standard with a speed control.
Custom sizes are available. Consult the factory for both size and control options.

Modular Cleanrooms

Denver, Colorado
800-496-7666 (Toll Free)
303-371-0272 (Office)
303-371-0270 (Fax)
Sales@modularcleanrooms.com
www.modularcleanrooms.com